

2016 CATALOG UNIT

10-94434

Play and Park Structures

This play equipment is recommended for children ages: 2-5

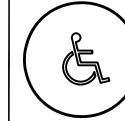
Minimum Area Required: 24'-1" x 21'-2"

Scale: 1/4"=1'
This drawing can be scaled only when in an 11" x 17" format

Drawn By: Charlie Walcott
Date: 11/11/15
Quote Number: 10-00003

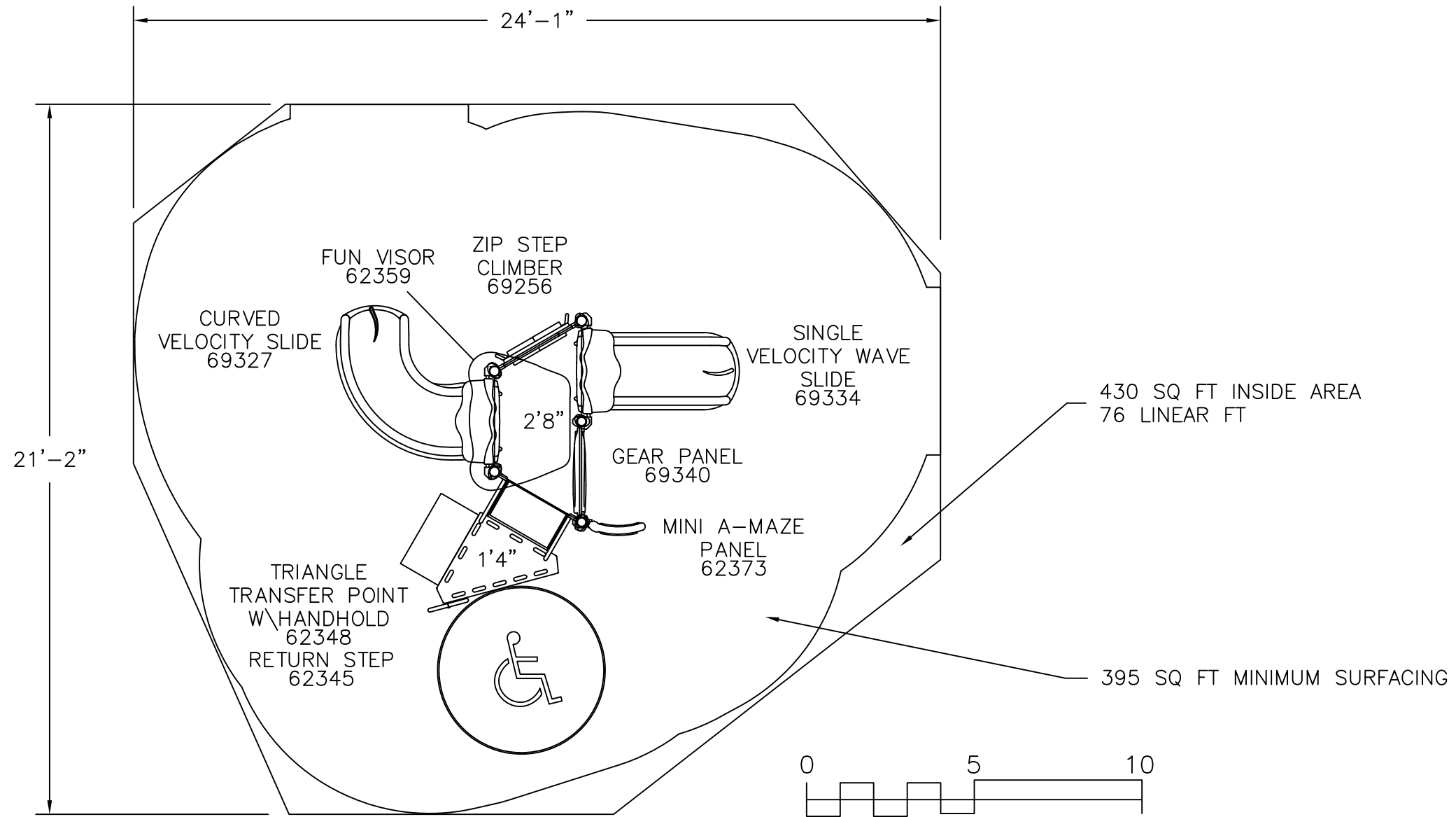
play&park structures

A PLAYCORE Company
401 Chestnut St., Ste. 410
Chattanooga, TN 37402
800-727-1907 / www.playandpark.com



Total Play Components	5
Elevated Play Components	4
Elevated Play Components Accessible by Ramp	0 Req. 0
Elevated Components Accessible by Transfer	4 Req. 2
Accessible Ground Level Components Shown	1 Req. 1
Different Types of Ground Level Components	1 Req. 1

User Capacity	10-20
Critical Fall Height	2'-8"



It is the manufacturer's opinion that the structure shown herein complies with current ada standards concerning accessibility if used with proper accessible surfacing and together with other necessary ground level play equipment.
IMPORTANT: Never install play equipment over hard, unresilient surfaces such as asphalt, concrete, or compacted earth. It is the owner's responsibility to ensure the "minimum area required" contains an appropriate amount of resilient material to cushion accidental falls.